



# ADHESIVE BACKED WINDOW VENTS

Assembly, Installation, Operation,  
and Maintenance Instructions

DOCUMENT NUMBER	WV-05
INSTALL TIME	30-60 MINUTES

<b>DEALER / INSTALLER</b>	Provide a copy of these instructions to the end user of this product. These instructions provide important operating and safety information. Demonstrate the proper use of the product with the end user. Have the end user demonstrate that they understand the proper use of the product.
<b>END USER</b>	Read and follow all instructions included in this manual. Ask your Dealer/Installer for assistance if you do not understand the proper use of the product. Never remove any informational or warning labels from the product. Failure to follow these instructions can result in injury or death.

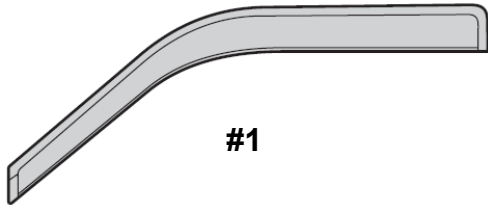
## TOOLS REQUIRED (NOT INCLUDED)

PUTTY KNIFE

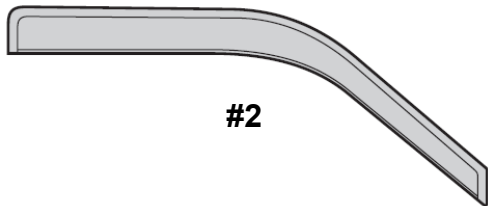
MICROFIBER CLOTH

### PACKAGE CONTENTS - 2 PIECE SET

ITEM	PART DESCRIPTION	QTY
1	FRONT DRIVER SIDE VENT	1
2	FRONT PASSENGER SIDE VENT	1
3	ALCOHOL PAD	2



#1



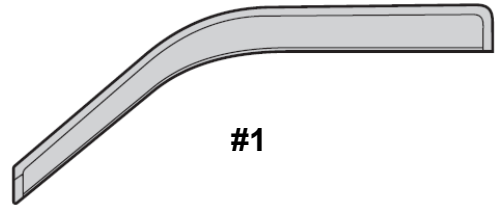
#2



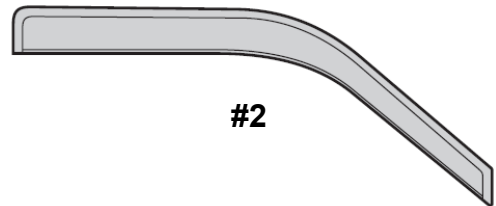
#3

### PACKAGE CONTENTS - 4 PIECE SET

ITEM	PART DESCRIPTION	QTY
1	FRONT DRIVER SIDE VENT	1
2	FRONT PASSENGER SIDE VENT	1
3	ALCOHOL PAD	4
4	REAR DRIVER SIDE VENT	1
5	REAR PASSENGER SIDE VENT	1



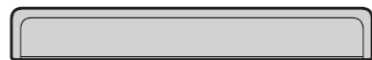
#1



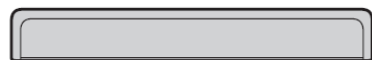
#2



#3



#4



#5

## WARNINGS/SAFETY PRECAUTIONS



Before driving, ensure that the window vents are properly secured to the vehicle.  
Avoid using cleaning solvents on the window vent surfaces.  
Periodically check all window vents for proper adhesion.

## PRIOR TO INSTALLATION:

Thoroughly clean and dry the installation area on the vehicle.

Verify contents of box.

Read instructions thoroughly.

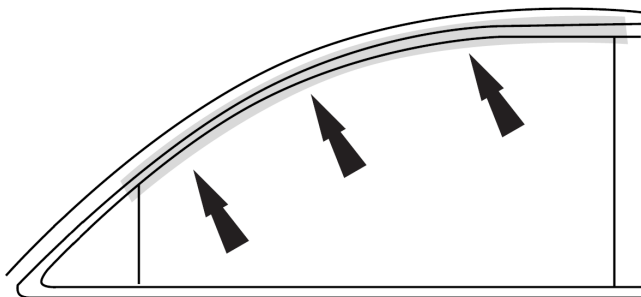
Use caution to avoid scratching the window vents and vehicle.

Verify proper fitment of window vents to the vehicle.

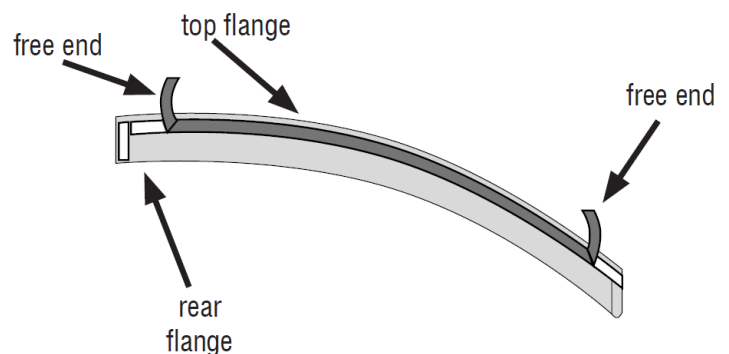
The double-sided tape installation should be given sufficient time for curing. It is recommended to allow the vehicle to sit for 24 hours if installed in temperatures above 60 degrees Fahrenheit. Colder temperatures will require additional curing time. If driving is necessary, it is important to refrain from lowering the windows to allow the adhesive to fully cure.

## FRONT WINDOW VENT INSTALLATION

1. Lower the window. Use an alcohol pad (#3) to clean the door's trim where each window vent will attach. **(IMAGE 1)**
2. Remove the tape liner from the rear flange of the front driver side vent (#1). Peel back 2 inches of tape liner from each end of the top flange. **(IMAGE 2)**



**(IMAGE 1)**



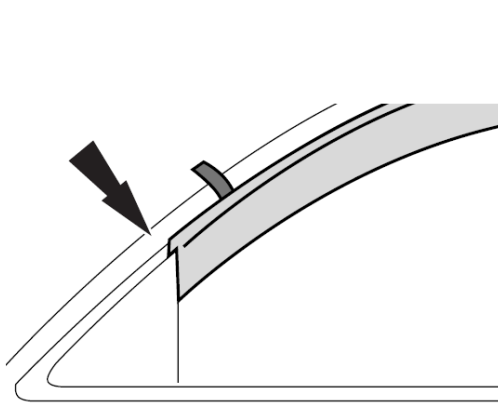
**(IMAGE 2)**

## FRONT WINDOW VENT INSTALLATION (CONTINUED)

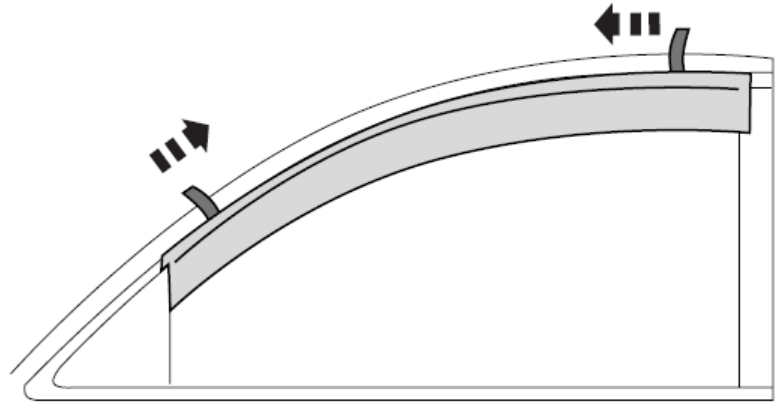
3. Slide the front flange of the window vent behind the sideview mirror cap. Carefully attach the top and rear flanges of the window vent to the door trim surface. **(IMAGE 3)**

**NOTE:** Use a putty knife to create a gap behind the sideview mirror cap if necessary.

4. Remove the remaining tape liner by pulling on the free ends. Apply pressure to the top and rear flanges to secure. **(IMAGE 4)**



**(IMAGE 3)**

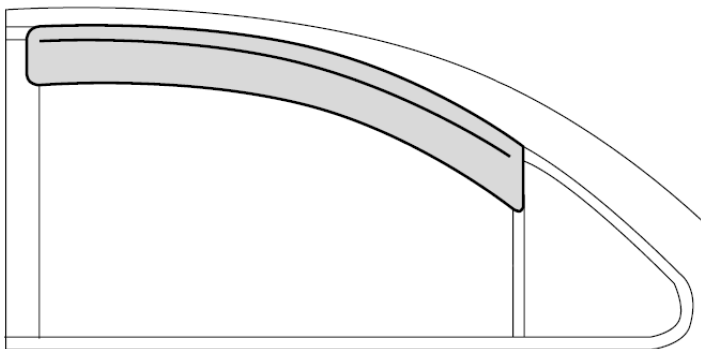


**(IMAGE 4)**

5. Repeat steps 1-4 for the front passenger side vent (#2).

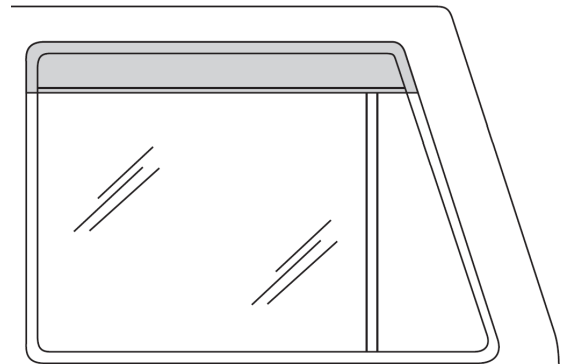
## REAR WINDOW VENT INSTALLATION

The rear window vents install with the same preparation methods as the front window vents. Attach the rear driver side vent (#4) and rear passenger side vent (#5) to the door trim surface. **(IMAGE 5)**



**(IMAGE 5)**

OR



## **CLEANING**

Wash window vents with mild soap and water. Dry with a clean microfiber cloth.

## **CONTACT US**

**WEBSITE:** TrailFX.com

**PHONE:** 1-866-638-4870

**EMAIL:** support@trailfx.com

## **WARRANTY INFORMATION**

### **Limited Lifetime Warranty:**

Keystone Automotive Operations (KAO) warrants this product to be free of defects in material and workmanship at the time of purchase by the original retail consumer. KAO disclaims any other warranties, express or implied, including the warranty of fitness for a particular purpose or an intended use. If the product is found to be defective, KAO may replace or repair the product at our option, when the product is returned prepaid, with proof of purchase. Alteration to, improper installation, or misuse of this product voids the warranty. KAO's liability is limited to repair or replacement of products found to be defective, and specifically excludes liability for any incidental or consequential loss or damage.

This document is intended for use with the following part numbers. Note that this list may be incomplete:

2127H 4269H 4334H 4634H 4818H 4930H